



OPERATION MICROSCOPE

Contact: andy@allprocorporation.com

ALL PRO

APX 系列手术显微镜

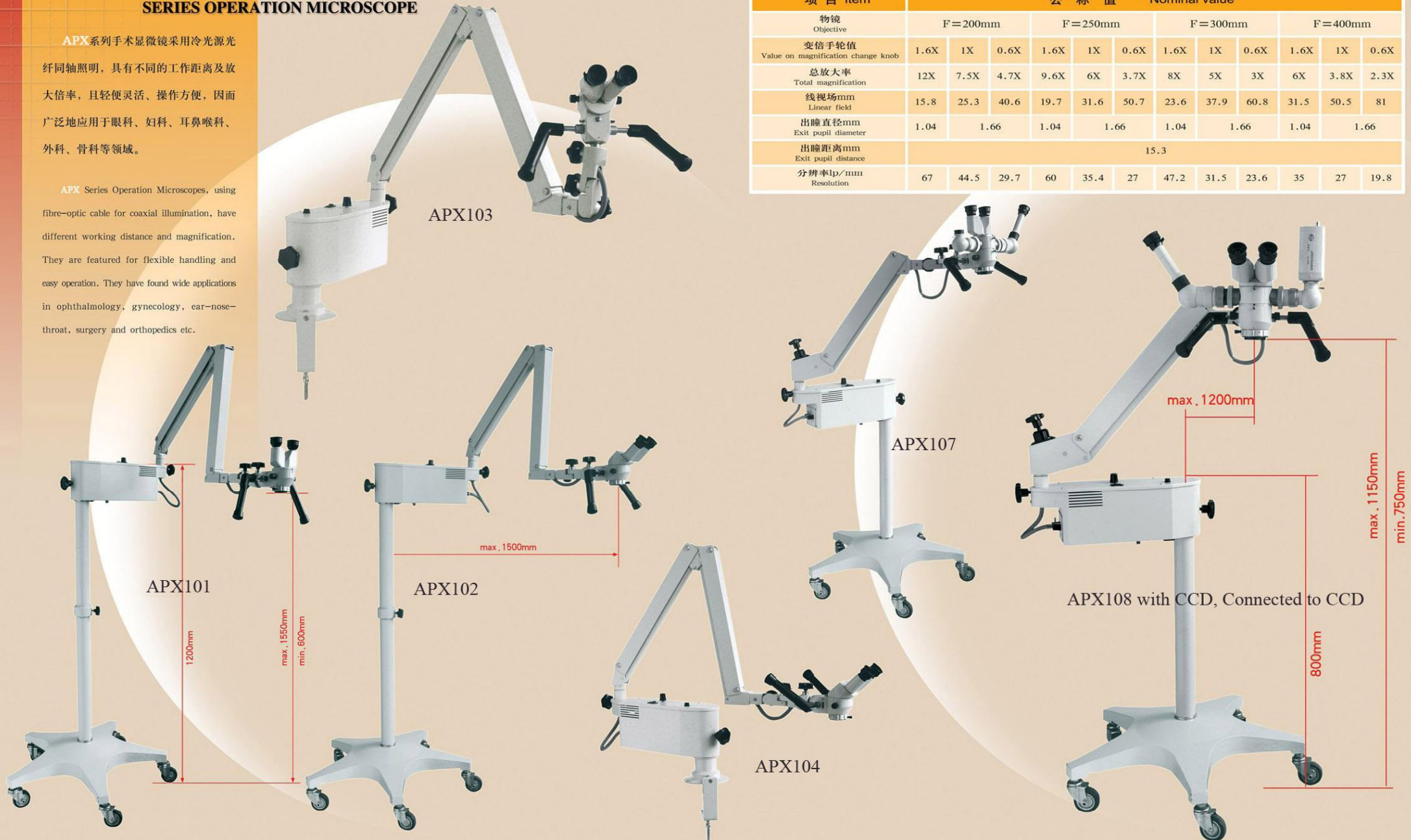
SERIES OPERATION MICROSCOPE

APX系列手术显微镜采用冷光源光纤同轴照明，具有不同的工作距离及放大倍率，且轻便灵活、操作方便，因而广泛地应用于眼科、妇科、耳鼻喉科、外科、骨科等领域。

APX Series Operation Microscopes, using fibre-optic cable for coaxial illumination, have different working distance and magnification. They are featured for flexible handling and easy operation. They have found wide applications in ophthalmology, gynecology, ear-nose-throat, surgery and orthopedics etc.

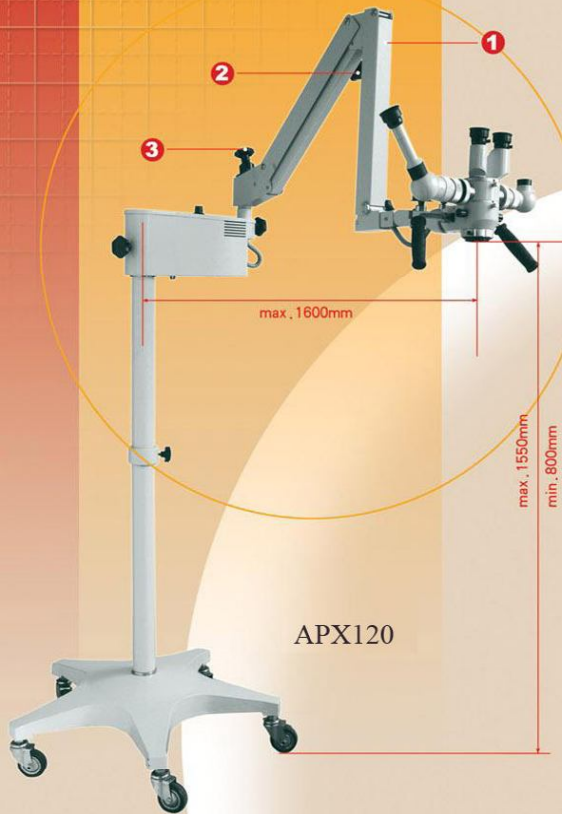
Table of Optical Characteristics

项目 Item	公称值 Nominal value											
物镜 Objective	F=200mm			F=250mm			F=300mm			F=400mm		
变倍手轮值 Value on magnification change knob	1.6X	1X	0.6X	1.6X	1X	0.6X	1.6X	1X	0.6X	1.6X	1X	0.6X
总放大率 Total magnification	12X	7.5X	4.7X	9.6X	6X	3.7X	8X	5X	3X	6X	3.8X	2.3X
线视场mm Linear field	15.8	25.3	40.6	19.7	31.6	50.7	23.6	37.9	60.8	31.5	50.5	81
出瞳直径mm Exit pupil diameter	1.04	1.66	1.04	1.66	1.04	1.66	1.04	1.66	1.04	1.66	1.04	1.66
出瞳距离mm Exit pupil distance	15.3											
分辨率lp/mm Resolution	67	44.5	29.7	60	35.4	27	47.2	31.5	23.6	35	27	19.8



APX 系列手术显微镜

SERIES OPERATION MICROSCOPE



APX120

1 支臂组: 医生可通过万向节和各转向节任意调节位置和方向, 且稳定可靠, 保证显微镜的位置适合医生的需要。

Arm assembly: Doctor can bring the arm to any position through the universal joints. The arm can be held stably and reliably, which ensures the microscope in a position suitable for the doctor.

2 支臂锁紧手轮: 松开此手轮可使支臂升降, 调节好工作位置后, 拧紧此手轮能保持仪器稳定。

Arm locking handwheel: The arm can be moved up and down by loosening the handwheel. After the arm is adjusted to the proper position, screw down the handwheel to keep the microscope stable.

3 力矩调节手轮: 显微镜增减附件时, 调节此手轮可使支臂在任何位置都能平衡。

Torque adjusting handwheel: When the accessory is added to or removed from the microscope, adjust the handwheel to make the arm balanced at any position.



APX130

产品配有四个不同工作距离的物镜, 可用于多种科室的显微手术;
The product is fitted with 4 objectives with different working distance.
It can be used for micro-operation in various departments.

工作距离 Working distance	适用科室 Applicable department
F=200mm	眼科、耳鼻喉科 Ophthalmology, ear & nose
F=250mm	外科 Surgery
F=300mm	神经外科、脑外科 Neurosurgery & brain surgery
F=400mm	喉科、妇科 Throat & gynecology

Table of Specification

项目 Item	APX101	APX102	APX103	APX104	APX107	APX108	APX120	APX130
双目观察镜 Binocular observation	直式 Straight	45° 斜式 Tilted	直式 Straight	45° 斜式 Tilted	直式 Straight	45° 斜式 Tilted	直式 Straight	45° 斜式 Tilted
观察镜倍率 Magnification of Observation	6X							
变倍手轮值 Value on handwheel for Magnification changer	三档变倍3-step magnification change : 0.6X, 1X, 1.6X							
物镜焦距 Focal length of objective	四个物镜4 objectives: F=200, 250, 300, 400mm, 连接螺纹Connecting screw: M38x0.75				四个物镜4 objectives: F=200, 250, 300, 400mm, 连接螺纹Connecting screw: M45x0.75			
总放大率 Total magnification	2.4X-12X							
分光器 Beamsplitter					50:50分光器 50:50 Beamsplitter			
示教镜 Demonstrator					可选配 Optional			
摄像接头 TV adapter					无No 可连接C卡口1/3英寸的CCD C-mount 1/3 inch CCD camera attachable			
照相接头 Photo adapter					可选配 Optional			
微调距离 Fine focusing range	10mm							
滤色片 Filter	内置滤色片, 绿色, 橙色 Built-in green and yellow filters							
平衡支臂 Balancing arm	两节支臂2-part arm				一节支臂, 可调节配重 1-part arm, counterweight adjustable		两节支臂, 可调节配重 2-part arm, counterweight adjustable	
照明系统 Illumination system	冷光源光纤同轴照明, 21V150W卤素灯, 亮度可调 Coaxial illumination with cold light source fiber-optic cable, 21V150W halogen lamp, brightness adjustable							
导光束 Fiber-optic cable	1600mm				1300mm		1700mm	
支架 Stand	两节立柱, 配五星底座 2-part column fitted on the five-star base		台式支架 Table mount		一节立柱, 配五星底座 1-part column fitted on the five-star base		两节立柱, 配五星底座 2-part column fitted on the five-star base	